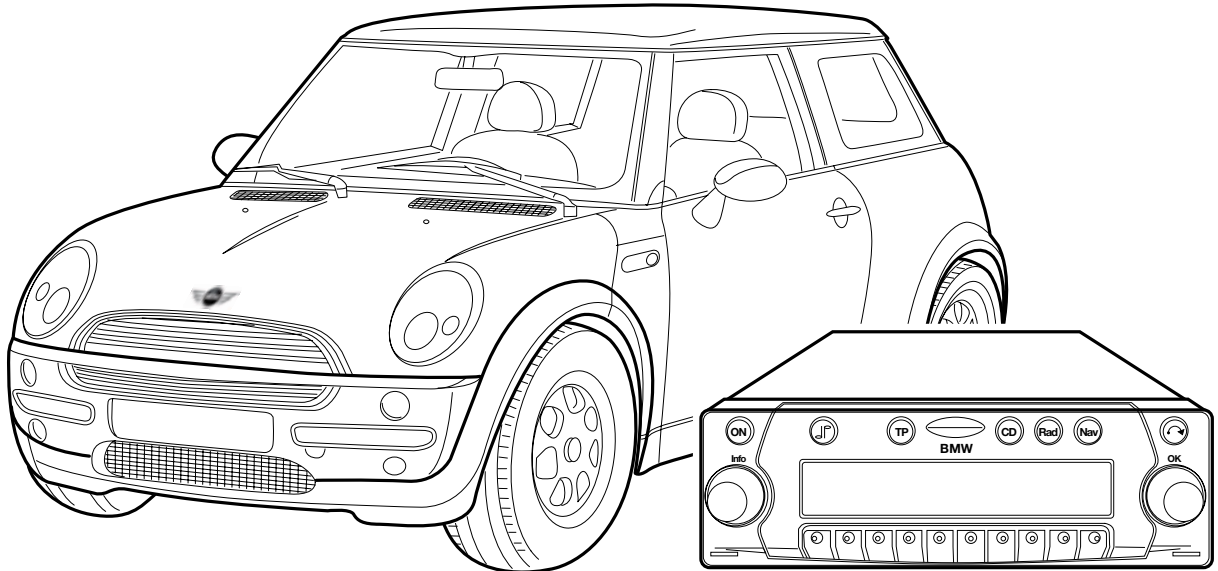




Parts and Accessories Installation Instructions



050 0077 B

MINI Traffic Pro installation kit (cars with Radio Boost only) MINI (R50/R53)

Technical and electrical knowledge required

The installation time is approx. 1.5 hours but this may vary depending on the condition of the car and the equipment in it.

Retrofit kit 65 90 0 027 973
 65 90 0 140 593

Contents

Section	Page
1. Important information for the installation of the navigation radio	3
2. Preparations	4
3. Parts list	5
4. Adapter cable connection diagram	6
5. Adapter cable connection diagram	7
6. Installation and cabling diagram	8
7. Navigation radio connection diagram	9
8. To install the GPS aerial (LHD cars only)	10
9. To install the GPS aerial (RHD cars only)	11
10. To install the radio installation frame	12
11. To install the adapter cable and connect the navigation radio	13
12. To connect the reversing light signal	15
13. To connect the tacho A signal	16
14. Coding	17
15. Concluding work	17
16. Language selection and commissioning	17
17. Operating instructions	17
18. Adapter wiring harness circuit diagram	18

1. Important information for the installation of the navigation radio

The navigation radio may only be installed by a specialist workshop that has the required special tools and manuals.

Ensure that the cables/lines are not kinked or damaged as you install them in the car. Additional cables/lines that you install must be secured with cable ties.

All the figures show LHD cars, proceed in exactly the same way on RHD cars.

Item numbers refer only to the overview drawings and to the texts next to the appropriate figure.



The operating manual supplied with the kit is to be given to the vehicle keeper. ◀

Subject to technical modifications

Required tools and equipment

MoDIC III or DIS

Set of flat screwdrivers

Set of Philips screwdrivers

Angle drill

Pneumatic saw

Combination pliers

Angle cutter

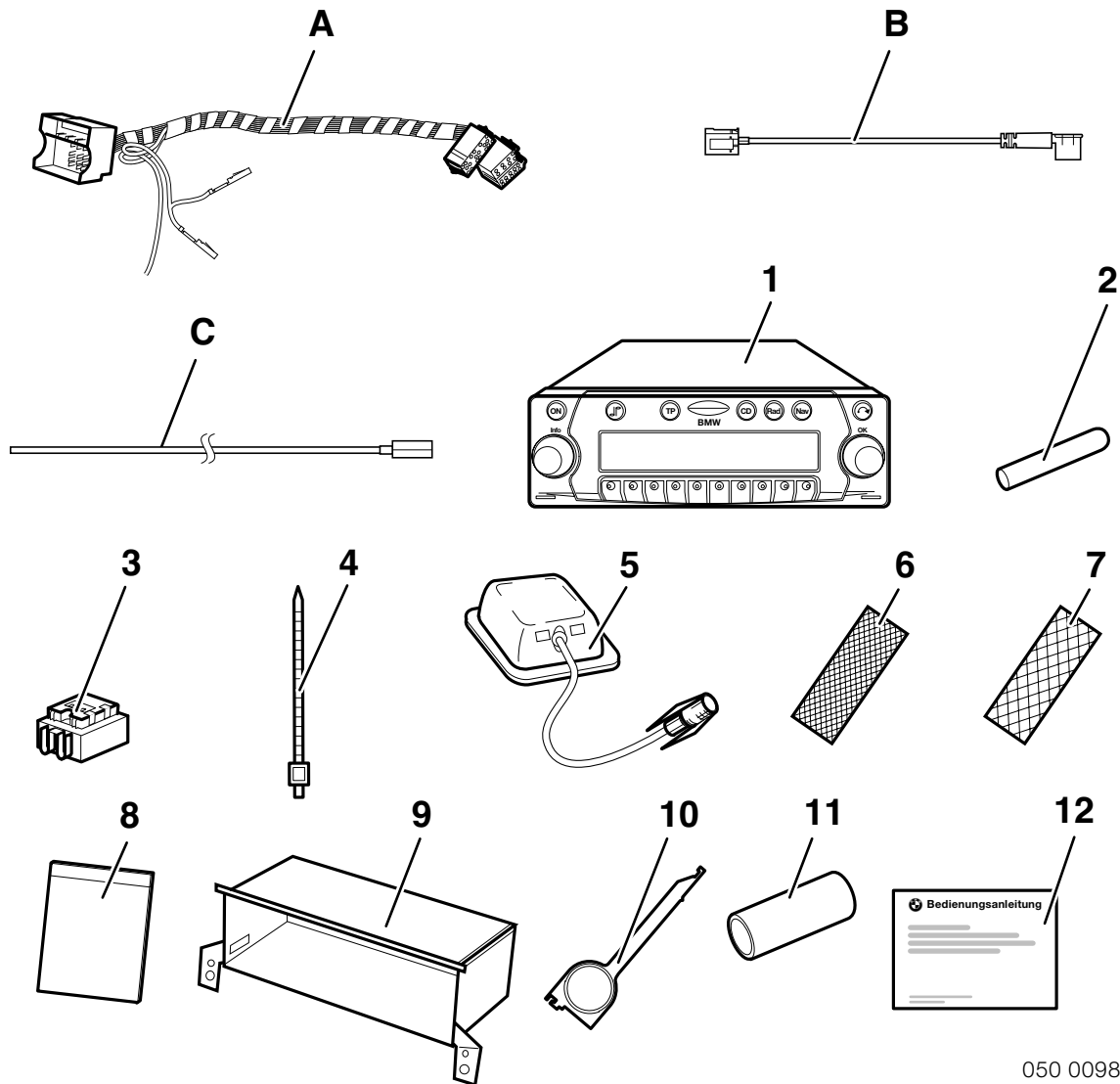
Cable lamp

Set of files

2. Preparations

	TIS instruction No.
Print out error memory	---
Disconnect the battery	12 00 ...
Remove the top instrument panel cover	---
Remove the cover on the passenger side	---
Remove both down tubes	---
Remove the radio	---
Remove the front right door sill trims	---

3. Parts list

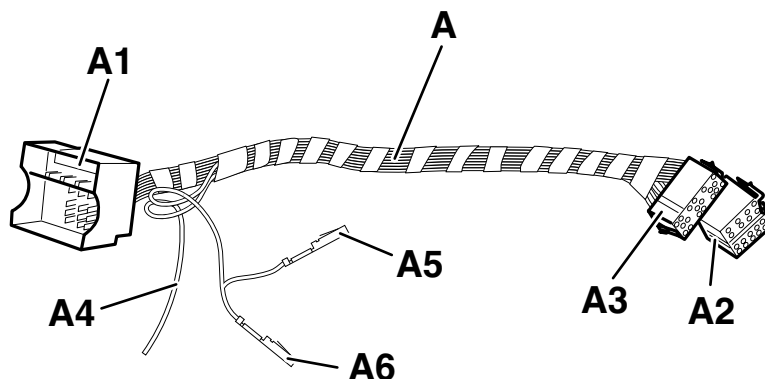


050 0098 B

Legend

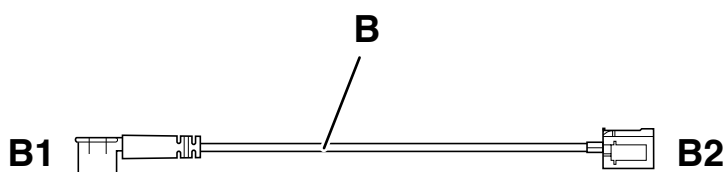
- A Adapter cable
- B Aerial adapter
- C Tacho A extension
- 1 Navigation radio
- 2 Radio retaining pin
- 3 Double insulation-piercing connector (2x)
- 4 Cable tie (8x)
- 5 GPS aerial
- 6 Hook type Velcro strip*
- 7 Fleece type Velcro strip*
- 8 Rattle guard (2x)
- 9 Radio installation frame
- 10 Installation clip (2x)
- 11 Shrink hose
- 12 Owner's manual

4. Adapter cable connection diagram



050 0099 B

Item	Description	Signal	Cable colour / Cross-section	Connection location in the car	Abbreviation / Slot
A	Adapter cable	---	---	---	---
A1	16-pin black plug casing	---	---	To black 16-pin plug casing in the centre console	X18126
A2	16-pin black socket casing	---	---	To the navigation radio in the centre console	---
A3	20-pin red socket casing	---	---	To the navigation radio in the centre console	---
A4	Open cable end	Reversing light terminal	BL/GE	To the standard wiring harness, right A pillar on the light module, using double insulation-piercing connector (check whether the signal exists)	---
A5	Blade terminal contact	Tacho A signal	SW/WS	To open cable end C2 on the adapter cable C using an insulation-piercing connector	---
A6	Blade terminal contact	Tacho A signal	WS	Not required	---

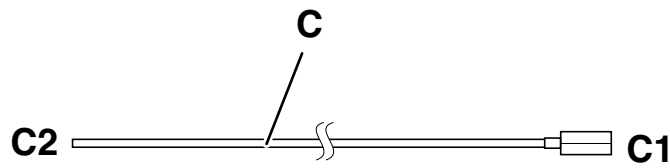


050 0100 B

Coaxial plug casing

Item	Description	Signal	Cable colour / Cross-section	Connection location in the car	Abbreviation / Slot
B	Aerial adapter	---	---	---	---
B1	Coaxial plug casing	---	---	To the navigation radio in the centre console	---
B2	Fakra coaxial plug casing	---	---	To coaxial Fakra aerial plug in the centre console	---

5. Adapter cable connection diagram

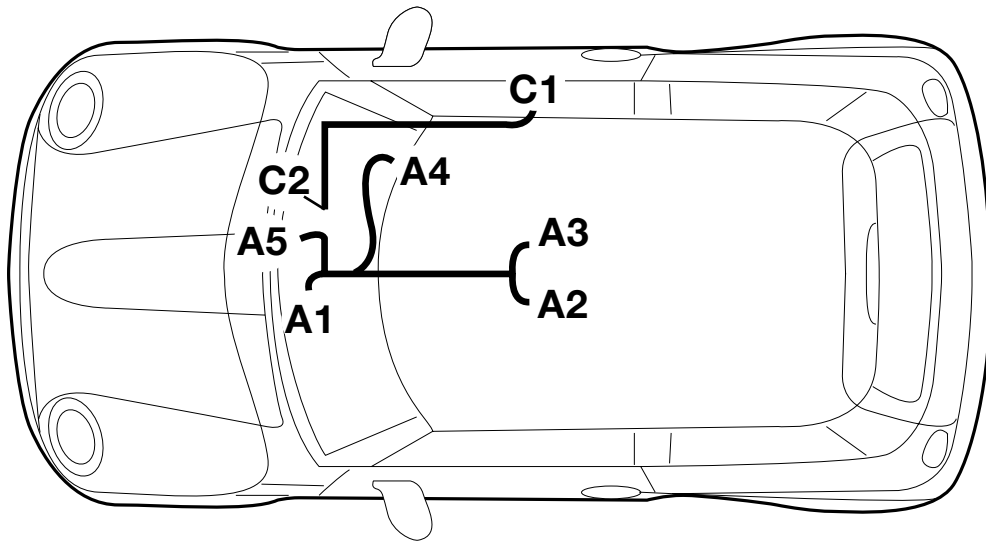


050 0101 B

Coaxial plug casing

Item	Description	Signal	Cable colour / Cross-section	Connection location in the car	Abbreviation / Slot
C	Tacho A extension	Tacho A signal	SW/WS	---	---
C1	Plug contact	Tacho A signal	SW/WS	To DFAHR joint connector on the front right door sill	X10186
C2	Open cable end	Tacho A signal	SW/WS	To adapter cable A, cable end A5 using an insulation-piercing connector	---

6. Installation and cabling diagram



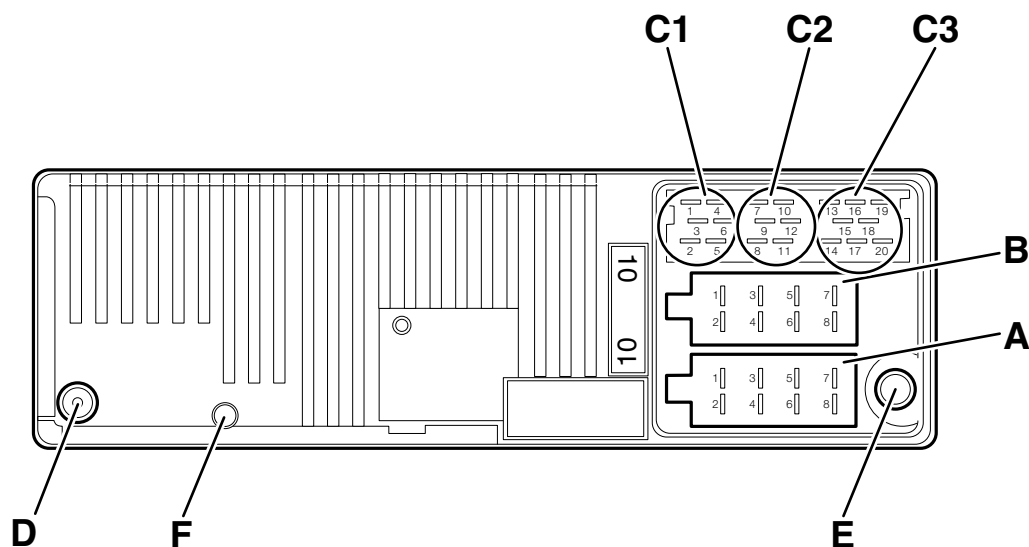
050 0097 B

All the wiring harnesses are to be laid along the main wiring harness as shown in the figure and secured with cable ties.

- Branch **A1** to the radio connection plug
- Branches **A2** and **A3** to the navigation radio
- Branch **A4** to the standard wiring harness at the A pillar on the right
- Branch **A5** to branch **C2**
- Branch **C1** to joint connector **X10186**
- Branch **C2** to branch **A5**

Tie back any excess lengths.

7 Navigation radio connection diagram



050 0102 B

Legend

Chamber A

- 1 Speed signal (TAA)
- 2 Signal from reversing light
- 3 Telephone mute
- 4 Continuous positive (terminal 30)
- 5 Control output for automatic aerial/amplifier
- 6 Light (terminal 58G)
- 7 Switched positive (terminal 15)
- 8 Earth (terminal 31)

Chamber B

- 1 Speaker rear right+
- 2 Speaker rear right-
- 3 Speaker front right+
- 4 Speaker front right-
- 5 Speaker front left+
- 6 Speaker front left-
- 7 Speaker rear left+
- 8 Speaker rear left-

Chamber C1

- 1 LineOut rear left
- 2 LineOut rear right
- 3 Low frequency earth
- 4 LineOut front left
- 5 LineOut front right
- 6 Subwoofer LineOut

Chamber C2

- 7-12 Specific connection for CD changer

Chamber C3

- 13 Low frequency telephone input
- 14 Earth telephone input
- 15-17 Specific connection for CD changer
- 18 CD low frequency earth (AUX)
- 19 CD low frequency left (AUX)
- 20 CD low frequency right (AUX)

Jack D

Radio aerial jack

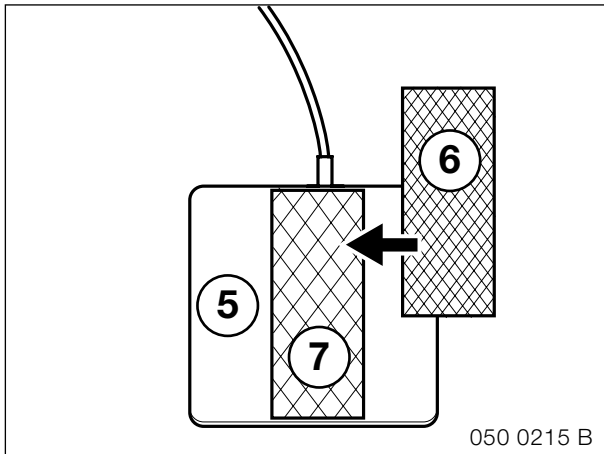
Jack E

GPS aerial jack

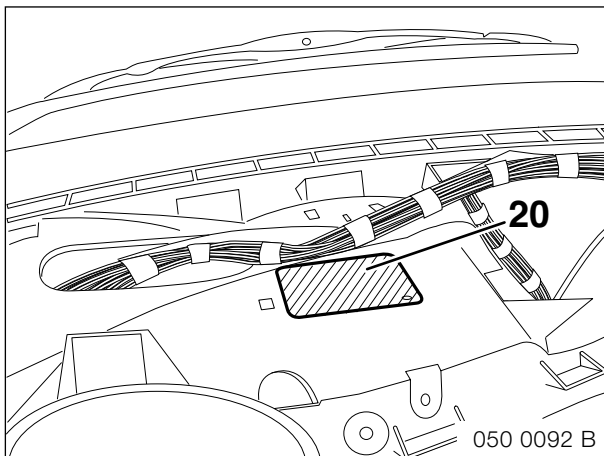
Jack F

Aerial diversity connection

8. To install the GPS aerial (LHD cars only)

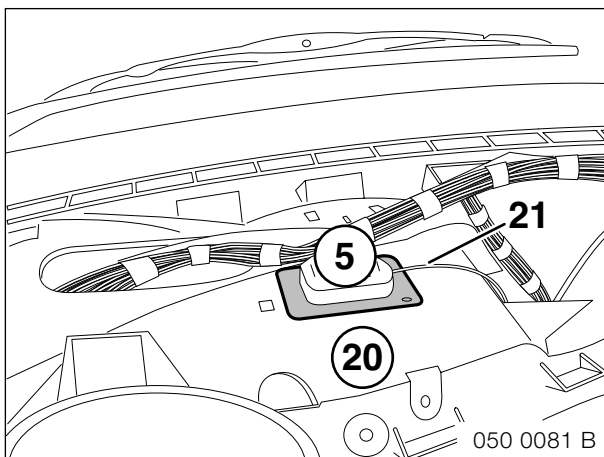


Affix the Velcro fleece strip (7) on to the centre of the GPS aerial (5).
Press the Velcro hook strip (6) on to the Velcro fleece strip (7) affixed to the GPS aerial (5).



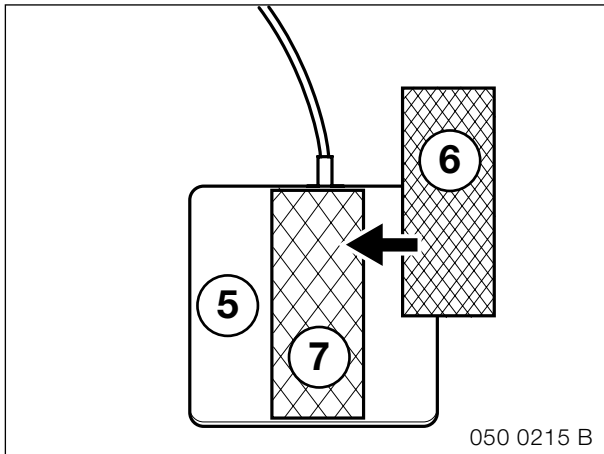
The figure shows the installation space under the instrument panel cover. ◀

Clean and degrease the hatches areas (20).

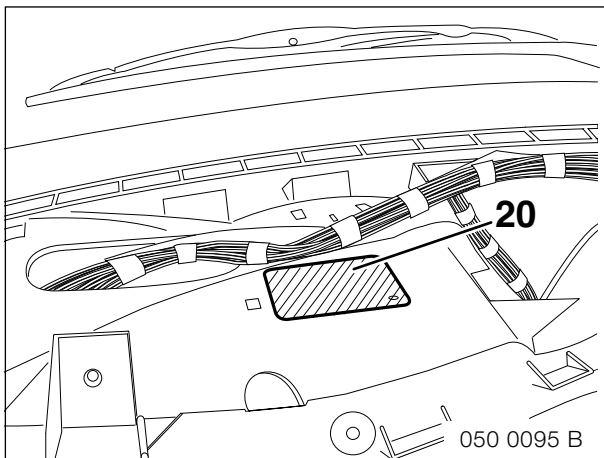


Affix the GPS aerial (5) to the instrument panel (20) using the Velcro strips.
Lay the aerial cable (21) along the standard wiring harness to the installation site of the radio and secure it with cable ties.

9. To install the GPS aerial (RHD cars only)

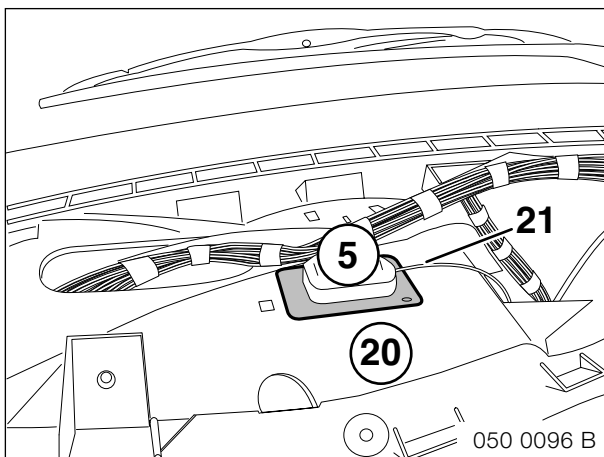


Affix the Velcro fleece strip (7) on to the centre of the GPS aerial (5).
Press the Velcro hook strip (6) on to the Velcro fleece strip (7) affixed to the GPS aerial (5).



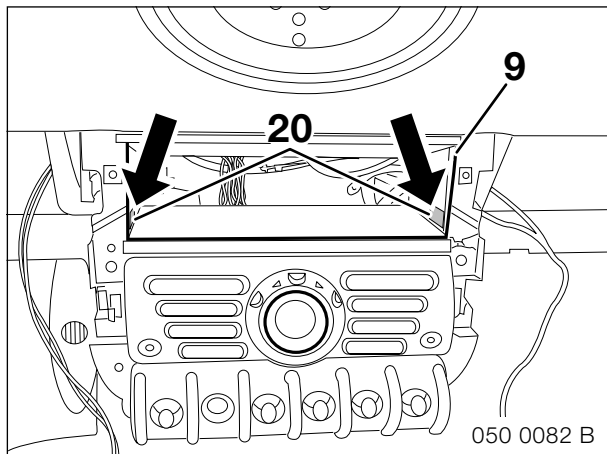
The figure shows the installation space under the instrument panel cover. ◀

Clean and degrease the hatches areas (20).

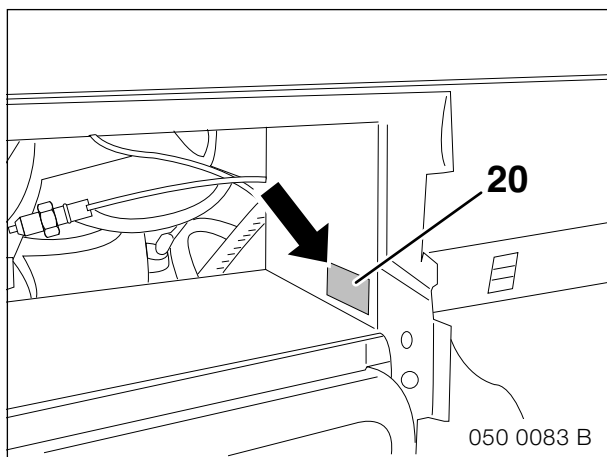



Affix the GPS aerial (5) to the instrument panel (20) using the Velcro strips.
Lay the aerial cable (21) along the standard wiring harness to the installation site of the radio and secure it with cable ties.

10. To install the radio installation frame

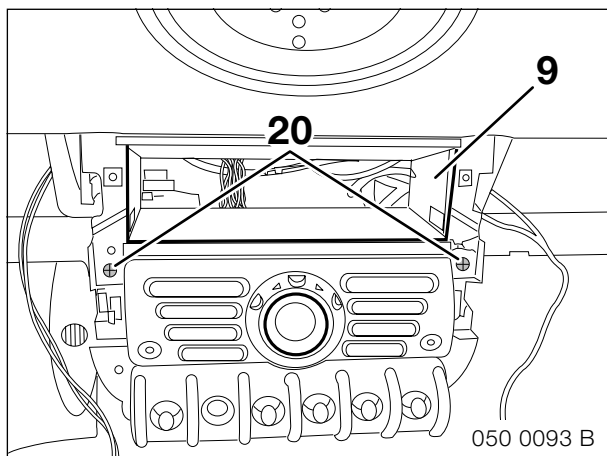


Push the radio installation frame (9) into the installation duct.
Mark the areas (20) marked with arrows using a scribe on the installation duct.
Remove the radio holder frame (9).



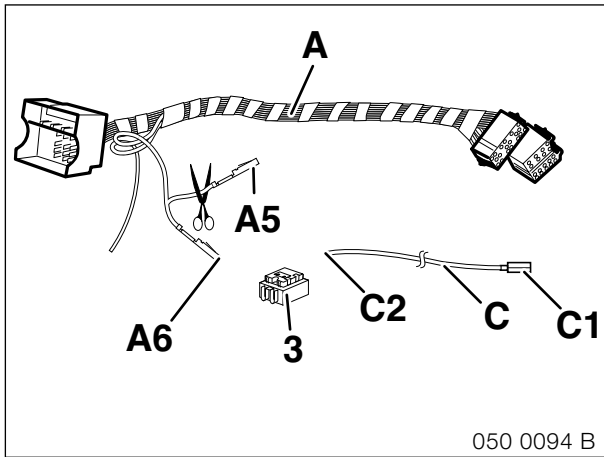
 The figure shows the right cut-out, proceed in exactly the same way on the left. ◀

Drill the marked areas (20) and cut them out with a pneumatic saw.

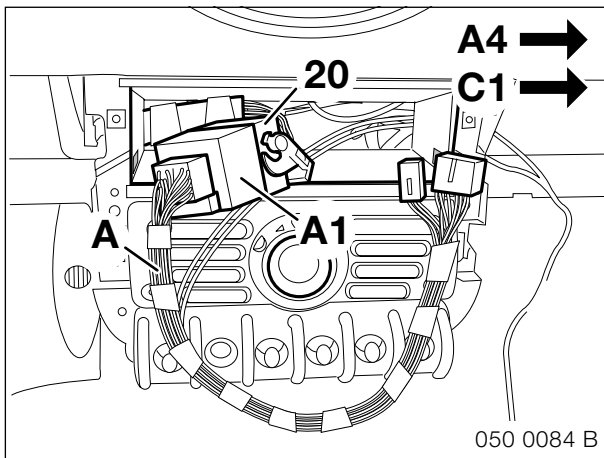


Insert the radio holder frame (9) and secure it with the existing Philips screws (20).

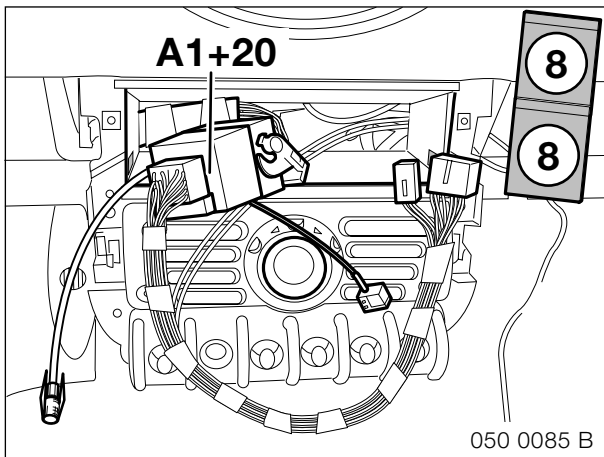
11. To install the adapter cable and connect the navigation radio



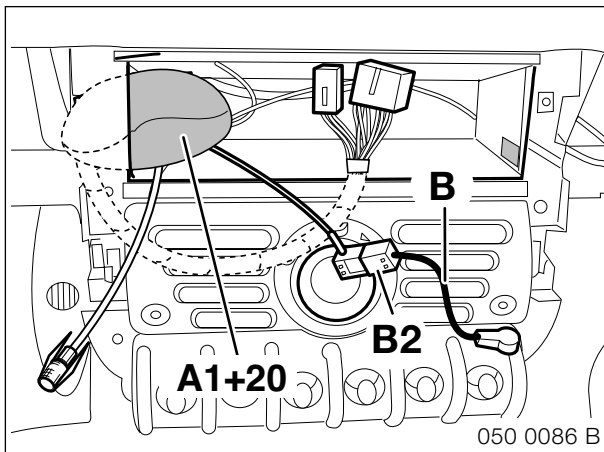
Insulate and tie back blade terminal contact **A6**. Cut off blade terminal **A5**, connect the open cable end **C2** on the extension cable **C** to the open cable end, black/white cable, using an insulation-piercing connector (3).



Connect branch **A1** to the radio plug (20). Lay branch **A4**, open cable end, blue/yellow cable, along the standard wiring harness to the bottom right A pillar and secure it with cable ties. Lay branch **C1**, black/white cable, along the standard wiring harness to the A pillar at the bottom right and then to the right door sill and secure it with cable ties.



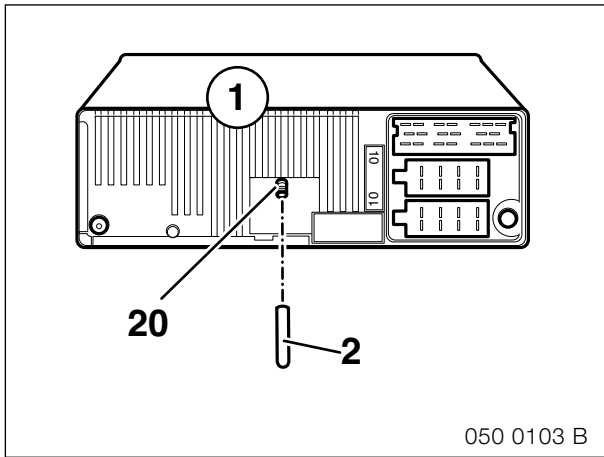
Affix a rattle guard (8) to the second rattle guard (8) and then affix them to the wiring harness so that the plug connector **A1+(20)** is wrapped in them.



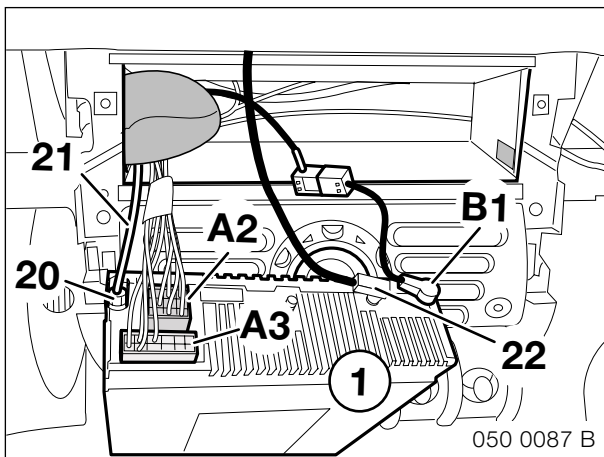
▶ Lay the wrapped plug connector **A1+** (20) behind the heating control so as to enable you to install the navigation radio. ◀

Connect branch **B2**, coaxial Fakra plug casing on the aerial adapter **B** to the existing aerial cable (30).

11. To install the adapter cable and connect the navigation radio

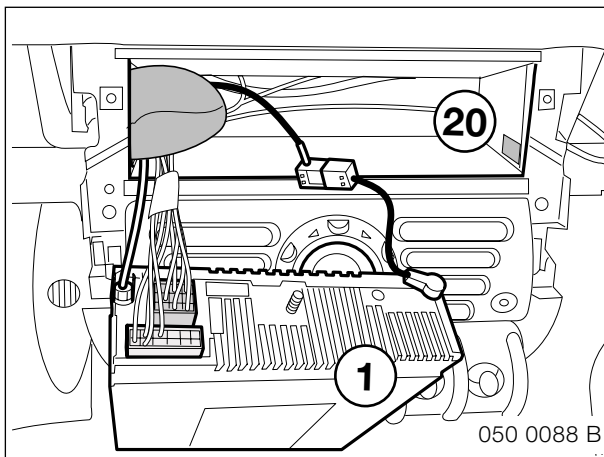


Screw the radio retaining pin (2) on to the stud bolt (20) on the navigation radio (1).



Connect branch **A2**, black 16-pin socket casing, to the navigation radio (1).
Connect branch **A3**, red 20-pin socket casing, to the navigation radio (1).
Connect branch **B1** to the radio aerial input.
Connect the coaxial plug (20) on the GPS aerial cable (21) to the navigation radio (1).

▶ The coaxial aerial plug (22) must be connected on cars with aerial diversity. ◀

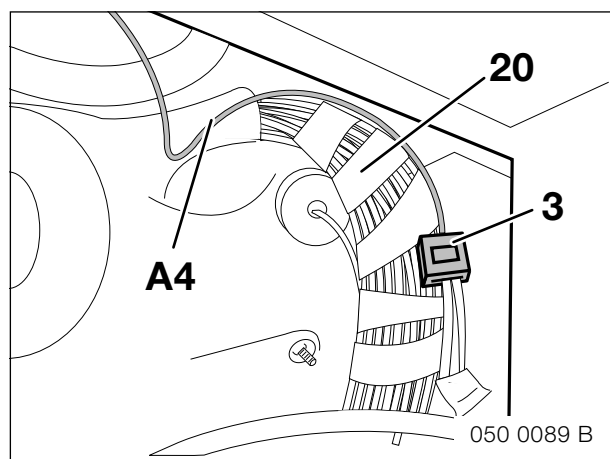


▶ Refer to the information for securing the navigation radio in the operating instructions in the section headed "Installation/Removal instructions". ◀

▶ As you slide in the navigation radio, ensure that you do not jam or damage any of the cables. ◀

Carefully slide the connected navigation radio (1) into the radio shaft (20) and secure it with the existing slides.

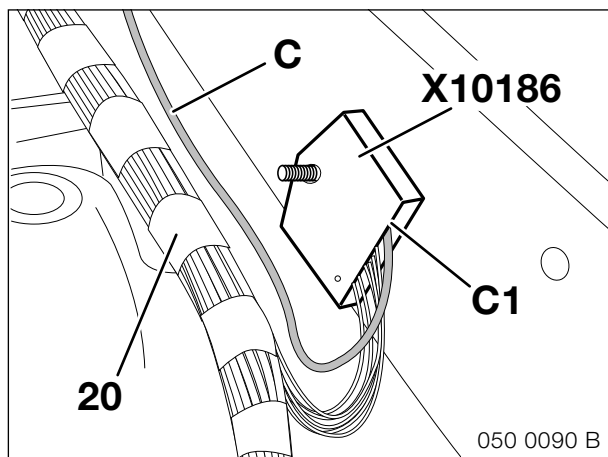
12. To connect the reversing light signal



▶ The figure shows the standard wiring harness (20) on the A pillar at the front right. ◀

Since the standard wiring harness (20) contains several blue/yellow cables, check whether the reversing light signal is present. Connect the open cable end **A4**, blue/yellow cable, to the reversing signal cable, blue/yellow cable, on the standard wiring harness (20) using an insulation-piercing connector (3).

13. To connect the tacho A signal



▶ The figure shows the main wiring harness (20) at the door sill on the right. ◀

Connect branch **C1** on the tacho A extension **C** to joint connector DFAHR signal **X10186** in the free slot.

If there is no free slot, cut off plug contact **C1** and connect it to one of the green/black DFAHR signal cables using an insulation-piercing connector (3).

14. Coding

This system is not diagnostics-capable and must not be coded.

15. Concluding work

Connect battery

Complete the commissioning process

Reassemble the car by following the instructions for its dismantling in reverse order

Print out error memory

16. Language selection and commissioning

See enclosed **BMW Traffic Pro operating instructions**

17. Owner's manual

See enclosed **BMW Traffic Pro operating instructions**

18. Adapter wiring harness circuit diagram

Legend

A1*	New generation adapter plug
A2*	16-pin black socket casing (chambers A+B)
A3*	20-pin red socket casing
A4*	Open cable end
A5*	Blade terminal contact
A6*	Blade terminal contact

The components marked with an asterisk (*) are only valid for this circuit diagram. All the other components and X designations correspond to BMW after-sales circuit diagrams

Cable colours

RT	= red
SW	= black
GN	= green
BR	= brown
GE	= yellow
WS	= white
VI	= violet
GR	= grey
BL	= blue